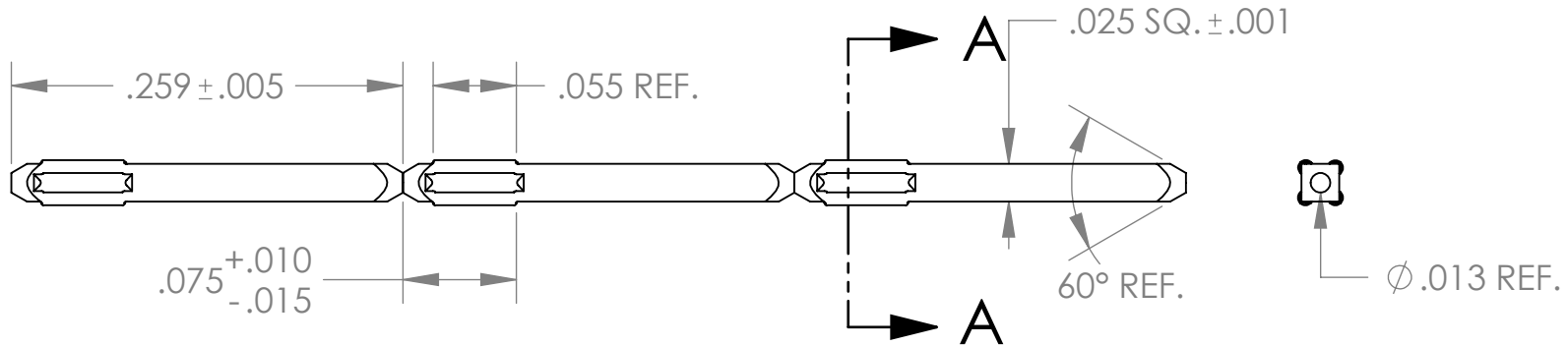
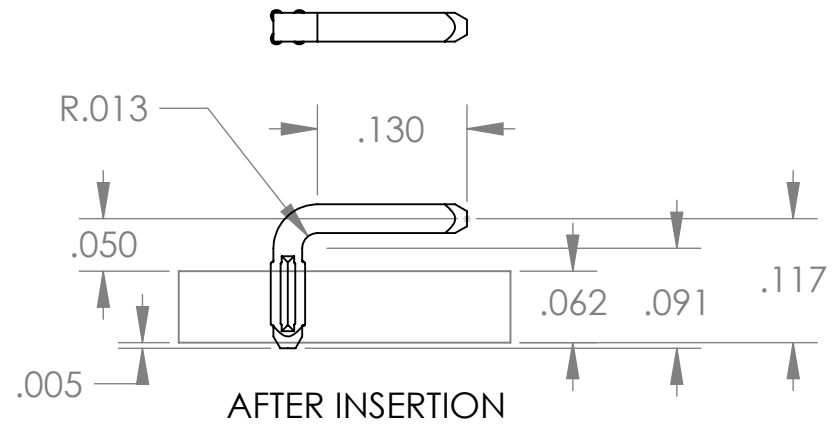


SECTION A-A
SCALE 16:1



NOTES:

- 1) TANDEM PIN
- 2) PIN TIPS ARE PARABOLA REVOLVED
- 3) WIND LONG END FIRST ONTO REEL,
END USER TO UNWIND SHORT END FIRST
- 4) WIND 50,000 PER REEL
- 5) MEASURE STAR FROM TANGENT POINT
- 6) STAR MAY BLEND INTO PIN TIP
- 7) RECOMMENDED HOLE SIZE:
.033" ± .002" FINISH SIZE
- 8) RoHS COMPLIANT

CONTROLLED DOCUMENT
MANUFACTURING / FINISH PRINT

UNLESS OTHERWISE SPECIFIED:		NAME	DATE
DIMENSIONS ARE IN INCHES TOLERANCES: FRACTIONAL ± ANGULAR: MACH ± BEND ± TWO PLACE DECIMAL ± THREE PLACE DECIMAL ±	ORIGINAL BY	J.B.	5/20/10
	UPDATED BY	T.P.	8/9/10
	ENG APPR.		
	MFG APPR.		
INTERPRET GEOMETRIC TOLERANCING PER:	Q.A.		
MATERIAL C197	COMMENTS:		
FINISH			
DO NOT SCALE DRAWING			

www.BeadElectronics.com

TITLE:

W025-626AC

SIZE A	DWG. NO.	REV
------------------	----------	-----

SCALE: 1:1 WEIGHT: SHEET 1 OF 1



PROPRIETARY AND CONFIDENTIAL
THE INFORMATION CONTAINED IN THIS DRAWING IS THE SOLE PROPERTY OF BEAD INDUSTRIES. ANY REPRODUCTION IN PART OR AS A WHOLE WITHOUT THE WRITTEN PERMISSION OF BEAD INDUSTRIES IS PROHIBITED.